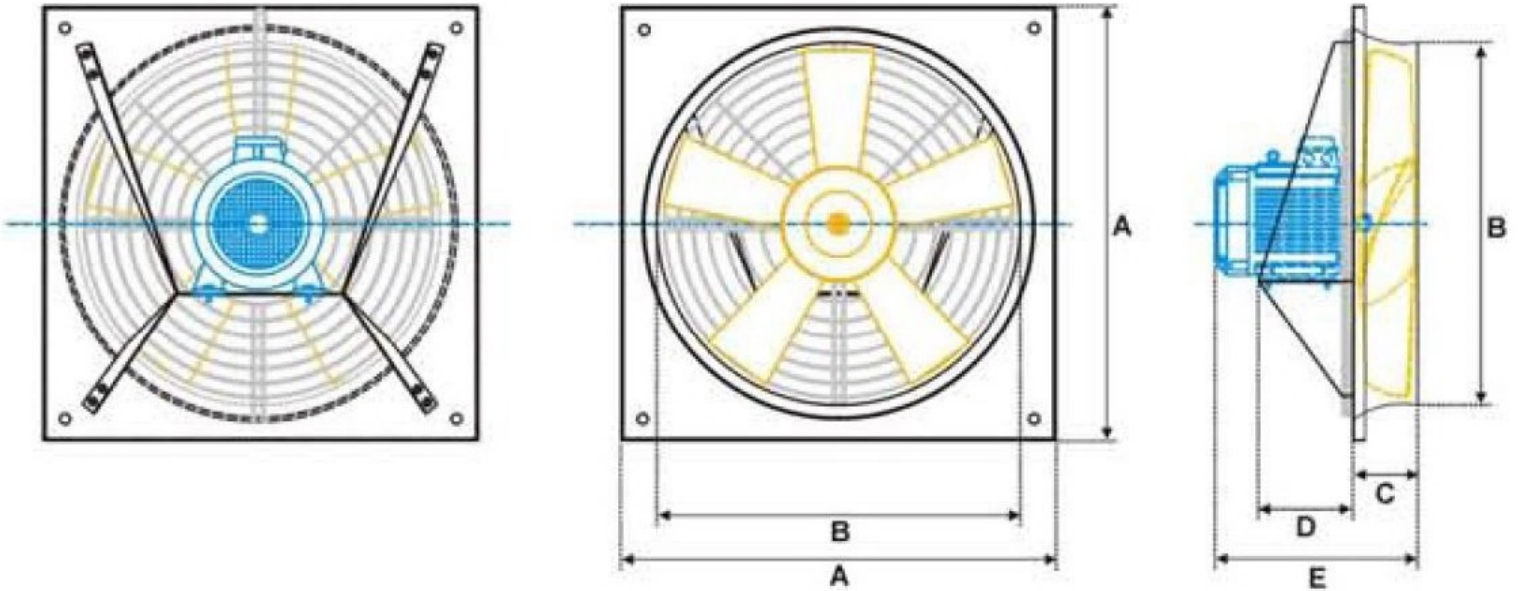


Wall Axial Fan



| Power kW | RPM | A | B | C | D | E | Impeller DIA | Weight = (kg) |
|----------|------|------|------|-----|-----|-----|--------------|---------------|
| 0.09 | 1400 | 275 | 200 | 45 | 120 | 200 | 195 | 6.8 |
| 0.12 | 1400 | 310 | 255 | 45 | 140 | 245 | 245 | 7 |
| 0.18 | 2900 | 310 | 255 | 45 | 140 | 245 | 245 | 7.5 |
| 0.25 | 900 | 400 | 300 | 60 | 160 | 250 | 290 | 11 |
| 0.18 | 1400 | 400 | 300 | 60 | 145 | 255 | 290 | 8.8 |
| 0.25 | 1400 | 400 | 300 | 60 | 150 | 255 | 290 | 10 |
| 0.37 | 2900 | 400 | 300 | 60 | 160 | 275 | 290 | 10.5 |
| 0.25 | 900 | 470 | 355 | 75 | 160 | 300 | 340 | 13.5 |
| 0.25 | 1400 | 470 | 355 | 75 | 160 | 295 | 340 | 12 |
| 0.55 | 2900 | 470 | 355 | 75 | 160 | 295 | 340 | 13.5 |
| 0.25 | 900 | 520 | 410 | 85 | 160 | 300 | 390 | 14 |
| 0.25 | 1400 | 520 | 410 | 85 | 160 | 310 | 390 | 12.8 |
| 1.1 | 2900 | 520 | 410 | 85 | 185 | 325 | 390 | 15.5 |
| 0.37 | 900 | 530 | 455 | 85 | 185 | 325 | 440 | 16.5 |
| 0.37 | 1400 | 530 | 455 | 85 | 160 | 300 | 440 | 14.5 |
| 2.2 | 2900 | 530 | 455 | 85 | 210 | 375 | 440 | 24 |
| 0.37 | 900 | 600 | 500 | 95 | 185 | 335 | 480 | 18.5 |
| 0.37 | 1400 | 600 | 500 | 95 | 160 | 310 | 480 | 16 |
| 4 | 2900 | 600 | 500 | 95 | 270 | 425 | 480 | 36 |
| 0.55 | 900 | 680 | 550 | 95 | 185 | 340 | 540 | 22.5 |
| 0.75 | 1400 | 680 | 550 | 95 | 185 | 340 | 540 | 22 |
| 5.5 | 2900 | 680 | 550 | 95 | 340 | 510 | 540 | 50 |
| 0.75 | 900 | 725 | 600 | 110 | 210 | 390 | 580 | 27 |
| 1.5 | 1400 | 725 | 600 | 110 | 210 | 390 | 580 | 29 |
| 7.5 | 2900 | 725 | 600 | 110 | 340 | 520 | 580 | 58 |
| 1.1 | 900 | 850 | 700 | 120 | 210 | 405 | 680 | 39 |
| 2.2 | 1400 | 850 | 700 | 120 | 250 | 435 | 680 | 43.5 |
| 11 | 2900 | 850 | 700 | 120 | 460 | 650 | 680 | 84.5 |
| 1.5 | 900 | 960 | 800 | 120 | 250 | 440 | 775 | 45 |
| 4 | 1400 | 960 | 800 | 120 | 270 | 460 | 775 | 59 |
| 18.5 | 2900 | 960 | 800 | 120 | 460 | 655 | 775 | 140 |
| 3 | 900 | 1090 | 900 | 120 | 340 | 545 | 880 | 78 |
| 5.5 | 1400 | 1090 | 900 | 120 | 340 | 545 | 880 | 79 |
| 4 | 900 | 1220 | 1000 | 120 | 340 | 550 | 980 | 83 |
| 7.5 | 1400 | 1220 | 1000 | 120 | 340 | 550 | 980 | 88 |